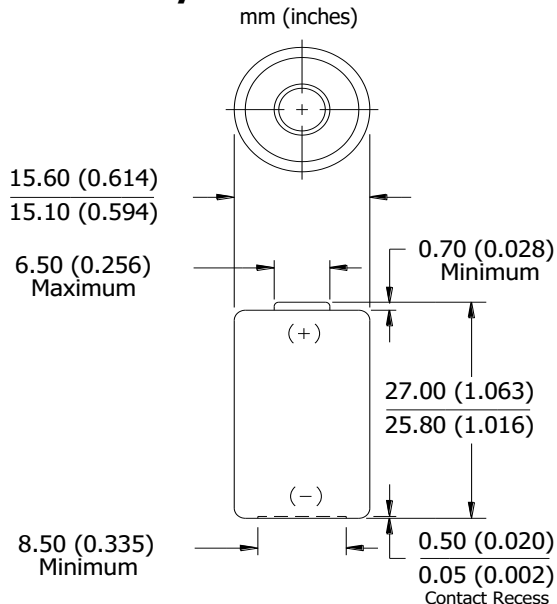


## ENERGIZER 1CR2

(EL1CR2 / CR2)



### Industry Standard Dimensions



This battery contains a Positive Temperature Coefficient (PTC) safety device to limit current during short circuit conditions.

### Simulated Application Tests

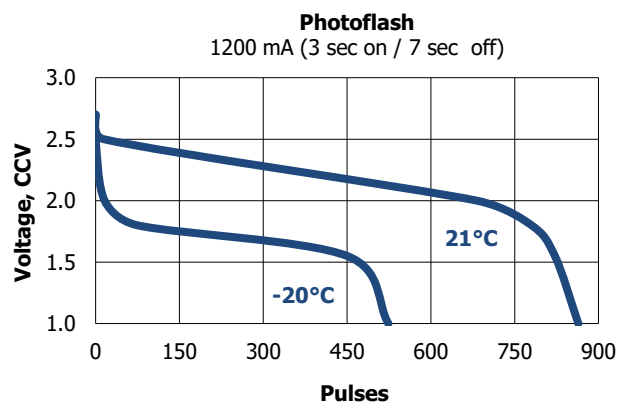
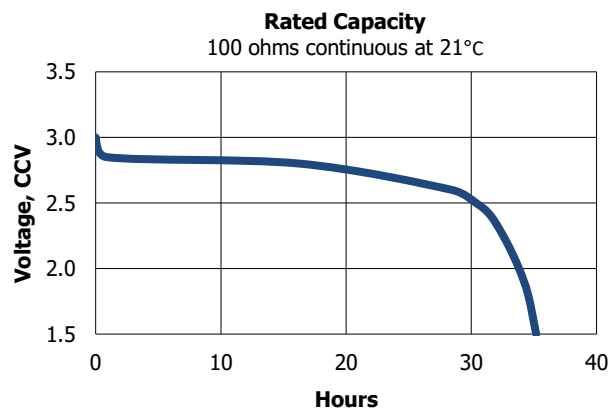
Typical Use Performance

Type (time)	Drain (mA)	Load (ohms)	Cutoff Voltage		
			2.0V (21°C) (hours)	1.8V (21°C) (pulses)	1.55V (21°C) (pulses)
Capacity (continuous)	---	100	34	---	---
Photoflash (3 / 27 sec)	900	---	---	---	1140
Photoflash (3 / 7 sec)	1200	---	---	760	---
Photoflash (3 / 7 sec)	1800	---	---	400	---

### Specifications

<b>Classification:</b>	"Lithium"
<b>Chemical System:</b>	Lithium / Manganese Dioxide (Li/MnO <sub>2</sub> )
<b>Designation:</b>	ANSI-5046LC, IEC-CR15H270
<b>Nominal Voltage:</b>	3.0 Volts
<b>Storage Temp:</b>	-40°C to 60°C (-40°F to 140°F)
<b>Operating Temp:</b>	-40°C to 60°C (-40°F to 140°F)
<b>Typical Capacity:</b>	800 mAh (to 2.0 volts) (Rated at 100 ohms at 21°C)
<b>Typical Weight:</b>	11.0 grams (0.4 oz.)
<b>Typical Volume:</b>	5.2 cubic centimeters (0.3 cubic inch)
<b>Max Discharge:</b>	1000 mA continuous (2500 mA pulse)
<b>Max Rev Current:</b>	2 uA
<b>Typical Li Content:</b>	0.28 grams (0.010 oz.)

### Typical Discharge Characteristics



### Important Notice

This datasheet contains typical information specific to products manufactured at the time of its publication. Contents herein do not constitute a warranty and are for reference only.